

# GPL 12750 12 80

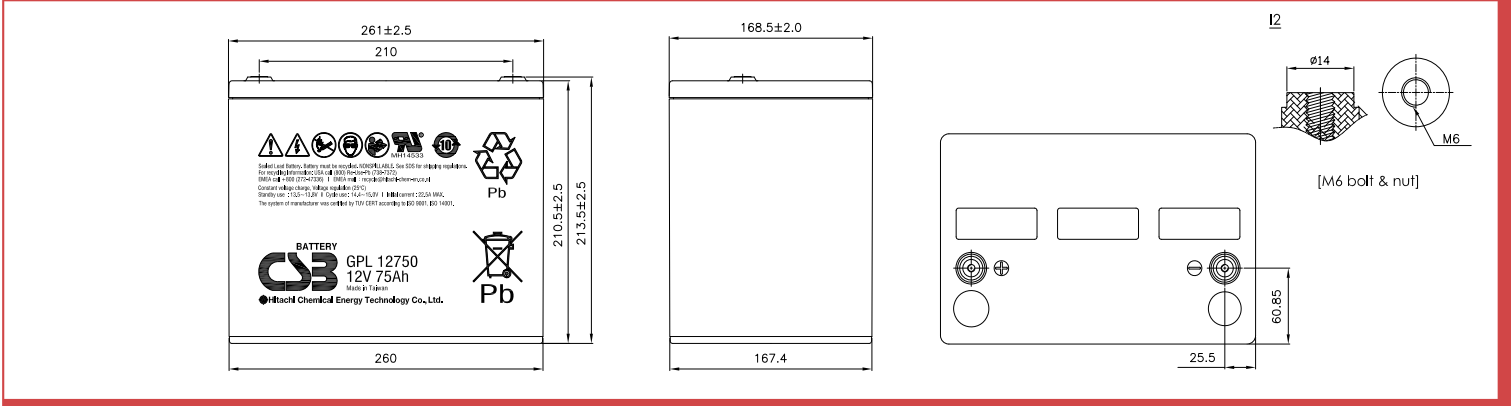
GPL 12750 - 10  
(10-12 20° Eurobat)  
260 - CSB,  
100%



12 (6 )			
80 A 20-	U	-1.75 /	25°
25.60			
800A (5 )			
4.0			
		-15°	+50°
		-15°	+40°
		-15°	+40°
1963			
25°			
13.5 - 13.8		25°	
22.5 A ( )			
			I <sub>max</sub>
14.4 - 15.0		25°	
		25°	6- *
			6



261±2.5	168.5±2.0	210.5±2.5	213.5±2.5
---------	-----------	-----------	-----------



**: A (25° )**

U <sub>k</sub> /T	5	10	15	30	60	90	2	3	5	8	10	20
1.60	298	198	149	87.5	53.5	38.8	30.9	21.9	14.5	9.57	7.85	4.15
1.67	274	191	146	86.7	53.2	38.6	30.7	21.7	14.4	9.46	7.78	4.13
1.70	265	187	144	86.1	52.4	38.1	30.5	21.5	14.3	9.40	7.76	4.11
1.75	234	170	139	84.4	51.4	37.4	29.9	21.4	14.1	9.38	7.63	4.04
1.80	210	158	131	81.9	50.2	36.8	29.5	21.0	13.8	9.17	7.55	3.97
1.85	183	145	118	77.0	47.5	34.9	28.1	20.3	13.5	8.88	7.26	3.82

**: / (25° )**

U <sub>k</sub> /T	5	10	15	30	60	90	2	3	5	8	10	20
1.60	3013	2127	1654	1003	614	456	370	261	173	116	93.5	49.7
1.67	2818	2060	1635	996	612	452	365	260	172	115	92.9	49.4
1.70	2729	2022	1609	994	610	450	363	259	171	114	92.7	49.3
1.75	2553	1927	1558	976	603	447	361	257	170	113	92.3	49.0
1.80	2371	1815	1478	949	592	440	356	254	168	111	91.0	48.7
1.85	2075	1667	1348	904	572	422	341	245	162	107	87.5	47.1